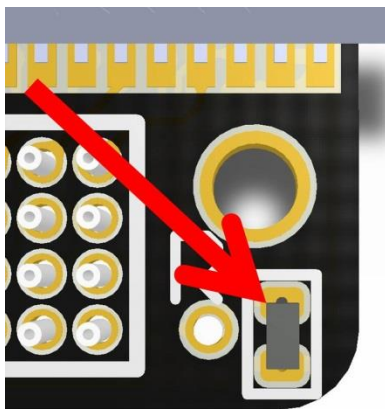


Description

The Warp 32 Drive is a small and light weight electrode positioner that utilizes electrode-in-cannula technology and outputs signal to a headstage. This product is designed to be used with the Neuralynx Warp Drive Pusher, see neuralynx.com for more information. The Warp 32 Drive can accommodate 32 electrodes, has an accessory Ground and one configurable Reference. Mount holes for #00 screws are provided.

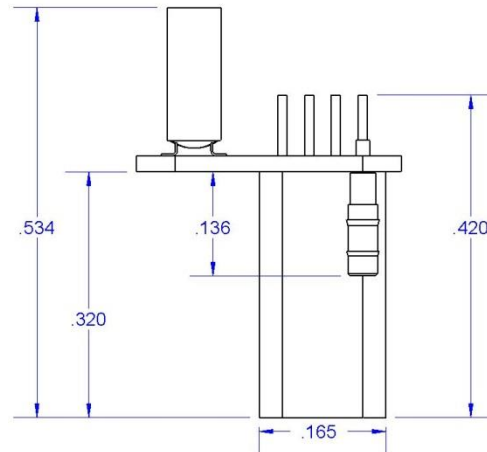
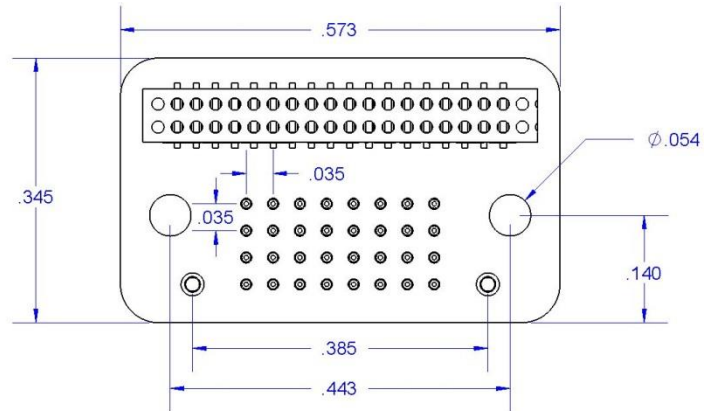
Reference Configuration

The Warp 32 Drive reference can be hard wired to be a ground or a reference. It is shipped in the ground configuration. To wire it into the reference configuration remove the resistor at the *R* location. See figure below.



Configuration Resistor

Dimensions



36-Pin Omnetics Connector Output



Units	inches
Cannula OD	0.012
Cannula ID	0.006
Cannula Length	0.420
Weight (g)	0.85
Channels	32
Resistor (Ω)	0.0
Omnetics Nano Dual Row	A79026

Electrode Channels

